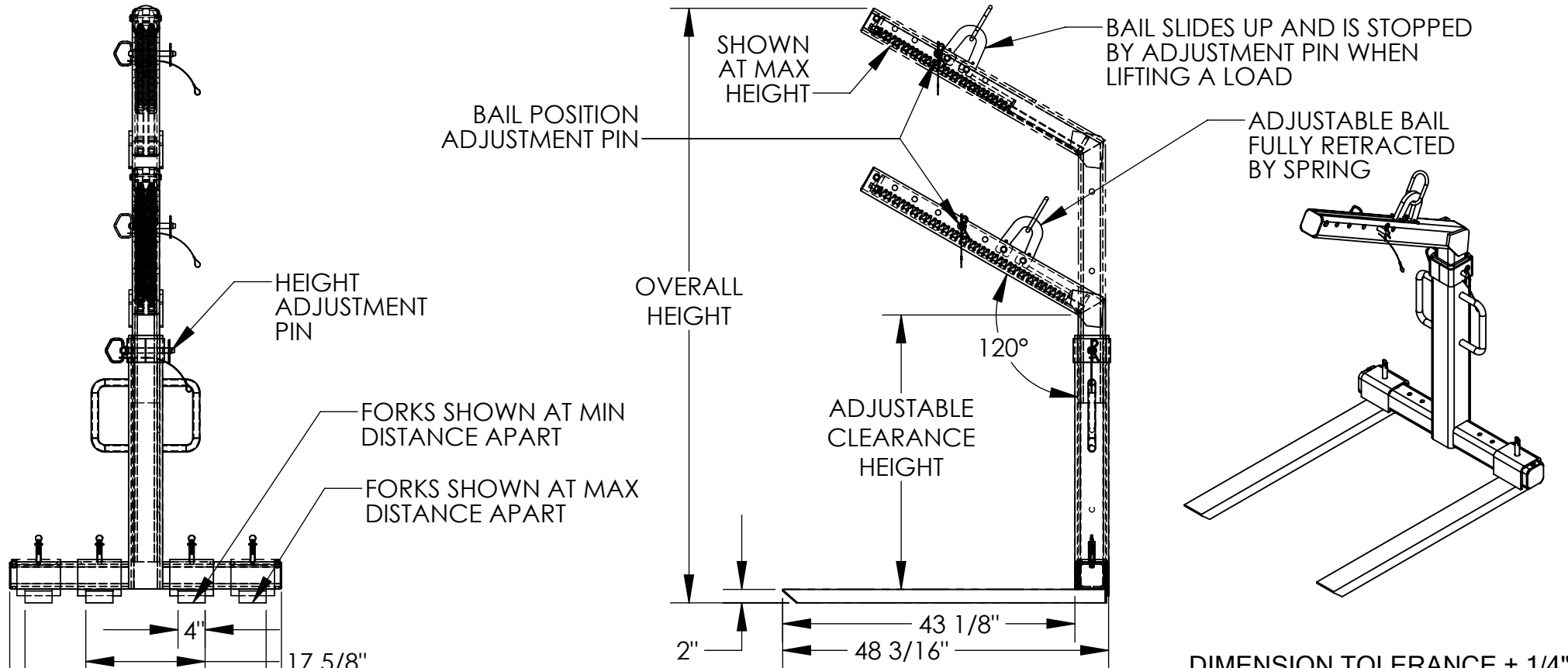


ADJUSTABLE OVERHEAD LOAD LIFTER - OLA-4-42

APPROX WEIGHT: 494.42 lbs.
DOES NOT INCLUDE WEIGHT OF POWER OR PACKAGING!!!

*** ANY ADDITIONS, DELETIONS, OR OMISSIONS MUST BE CORRECTED ON THIS DRAWING AS THIS DRAWING WILL BE CONSIDERED ALL INCLUSIVE ***

ALL GRAPHICS PROVIDED ARE FOR REFERENCE ONLY. IF CERTAIN DIMENSIONS ARE CRITICAL PLEASE VERIFY THOSE DIMENSIONS WITH YOUR SALESPERSON



DIMENSION TOLERANCE ± 1/4"

STANDARD FEATURES

- MODEL NUMBER IS OLA-4-42
- MAX CAPACITY IS 4,000 LBS
- ADJUSTABLE CLEARANCE HEIGHT IS 40 9/16", 52 5/16", AND 64 1/16"
- OVERALL HEIGHT IS 64 3/8", 76 1/8", AND 87 7/8"
- ADJ. FORK SPREAD (OUTSIDE TO OUTSIDE) MAX IS 35 5/8", MIN IS 17 5/8"
- FORK SIZE IS 2" H X 4" W
- USABLE FORK LENGTH IS 43 1/8"
- OVERALL WIDTH IS 40 1/8"
- OVERALL LENGTH IS 48 3/16"
- DURABLE LIQUID PAINT BLUE FINISH

SPECIAL FEATURES

NONE

APPROVAL

I, THE UNDERSIGNED, AGREE THAT THE PRODUCT AS REPRESENTED SATISFIES DESIGN AND DIMENSION REQUIREMENTS. I ALSO ACKNOWLEDGE MY DUTY TO CONFIRM PRODUCT AND INSTALLATION COMPLIANCE WITH ALL APPLICABLE FEDERAL, STATE AND LOCAL REGULATIONS AND STANDARDS.

ANY MODIFIED UNITS ARE NON-RETURNABLE

[] As drawn [] As marked

Signed: _____ Date: _____

Printed Name: _____

LEAD TIME WILL START UPON RECEIPT OF SIGNED APPROVAL DRAWING

FOR INTERNAL USE ONLY PROJECT SIGN OFF	
SALES	
ENG.	
FAB.	
POWER	

DISTRIBUTOR'S NAME:		P.O.#
HOF EQUIPMENT COMPANY		X
PH: 888-990-1150		W.O.#
DRAWN BY: ND		X
DATE: 05/22/2009		SALES: X
REFERENCE: X	SCALE: 1:22	FILE NAME:
QUOTED LEAD TIME: X	QUOTE # X	38-007-031